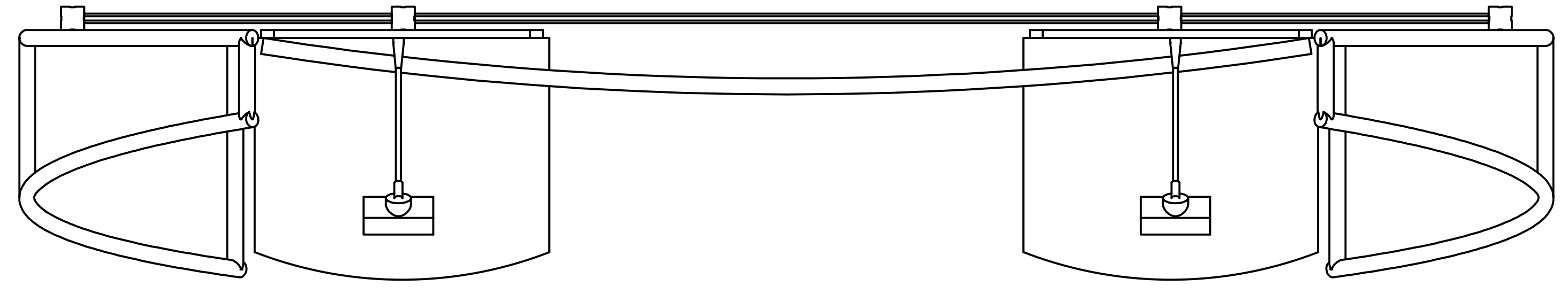
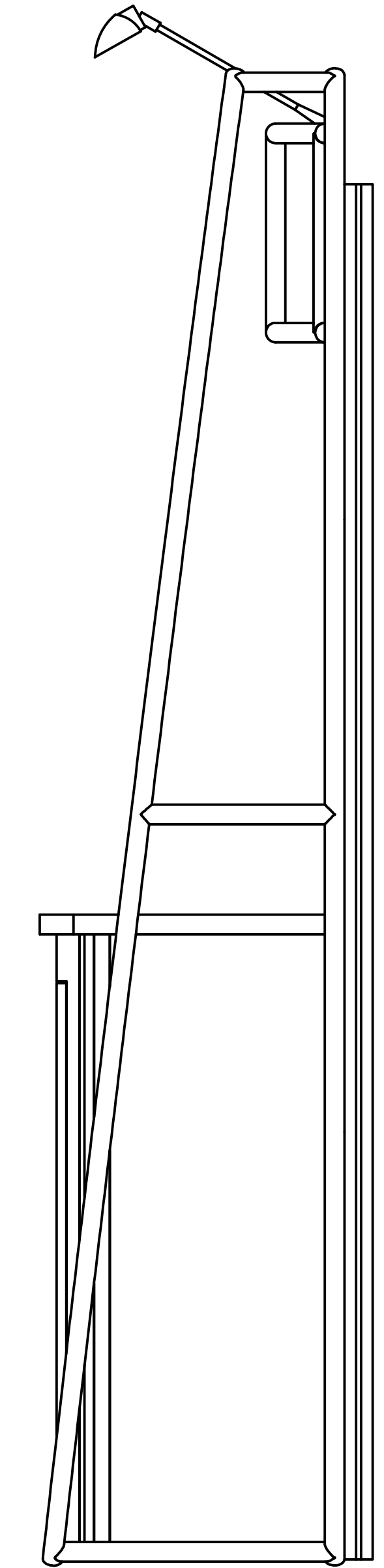
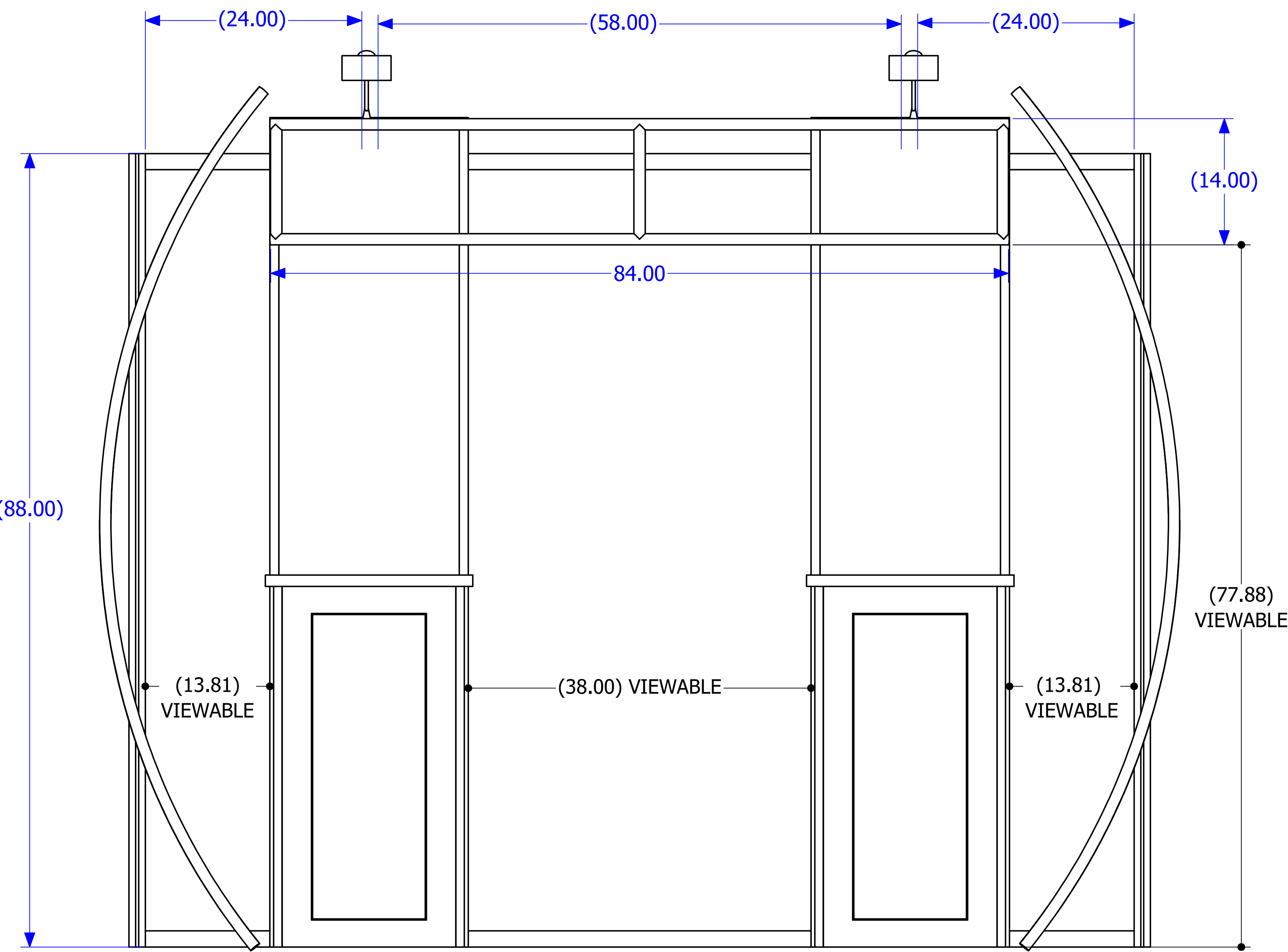


8 | 7 | 6 | 5 | 4 | 3 | 2 | 1



| GRAPHIC SPECS | |
|---------------------------|-----------------|
| PRODUCT NAME: | ECO-1010 |
| MATERIAL: | RECYCLED FABRC |
| VIEWABLE SIZE: | (1) 58" x 88"h |
| VIEWABLE SIZE: | (2) 24" x 88"h |
| MATERIAL: | RECYCLED CELTIC |
| VIEWABLE/PILLOWCASE: | (1) 84" x 14" |
| VIEWABLE/PILLOWCASE: | (2) 103" x 18" |
| ESTIMATED GRAPHIC PACKAGE | \$2250 RETAIL |
| EFFECTIVE DATE: | 1/1/2012 |



**Please use this document for reference only.
Contact your distributor for final graphic templates per order.**

| | | | |
|------------------------|-----------|--|------------------------------|
| DRAWN michaelmccord | 7/20/2011 | TITLE ECO-1010 GRAPHIC SPECS | |
| CHECKED | | SIZE D | DWG NO ECO-1010 GFX SPECS |
| QA | | SCALE | REV 1 |
| MFG | | SHEET 1 OF 1 | |
| APPROVED | | | |

8 | 7 | 6 | 5 | 4 | 3 | 2 | 1